



TRAK-EZE® 220 Series Track Installation Instructions

Manufactured by



AUTOMATIC DEVICES COMPANY

7313 Varna Avenue, North Hollywood, CA 91605

Toll free: (800) 341-3165 Phone: (818) 503-0596 Fax: (818) 503-0599

E-MAIL: info@skdrapes.com

www.sktheatricaldraperies.com

ADC MODEL 220 SERIES CURTAIN TRACK INSTALLATION INSTRUCTIONS FOR MANUALLY OPERATED SYSTEMS

- Place operating cord on the floor or workbench.
- Install track channel to ceiling structure.
- Install live-end pulley (double-wheeled pulley) to the mounted track.
- Thread one end of the operating cord over one sheave of the live-end-pulley (2-wheeled pulley (not installed in track at this time).
- With master carrier “2” outside of track, thread the same end of cord through this master carriers cord lock and pull several feet of cord through the lock, but **DO NOT TIGHTEN THE LOCK.**
- Insert the “2” master carrier into the track and pull the cord, through the untightened lock, to the other end of the track.
- If the track system incorporates the optional Tandem Carriers (Model 2202T or 2202BT) insert these carrier directly behind the Master Carrier (Refer to Drawing #I-220T-1)
- Insert the required amount of single carriers in the track, behind this master carrier, making certain that the cord lies between the carrier wheels and the inner wall of the channel (Refer to Drawings included in packet).
- Insert the live-end pulley assembly into the track. Securing it loosely.
- Take the end of cord threaded through Master Carrier “2”, around the wheel of the dead-end pulley (single sheave pulley) and thread this cord through Master Carrier “1”.
- Pull several feet of cord through this Master Carrier’s cord lock. **DO NOT TIGHTEN THE LOCK.**
- Insert Master Carrier “1” into the track from the dead-end of the track and slide it at least ½ way down the track section.
- If the track system incorporates the optional Tandem Carrier (Model 2202T or 2202BT) insert these carriers directly behind the Master Carrier (Refer to Drawing #I-220T-1).
- Insert required amount of single carriers behind Master Carrier “1” making certain that the cord lies between the carrier wheels and the inner wall of the channel (Refer to drawings included in packet).
- Insert the dead-end pulley into the track and secure it loosely.
- Locate the floor pulley or machine operator directly below and inline with the live-end pulley.
- Thread the other end of the cord reel around the sheave of the floor pulley.
- Tread this end over the remaining sheave of the live-end pulley.
- Thread this end of cable through the track keeping it between the side of the channel and the wheel of the single carriers (Refer to drawings included in packet).
- Pull Master Carrier “1” through the track channel toward the live-end pulley as far as it will go.
- Thread the cord through the cord lock of Master Carrier “1”. There should now be two (2) cuts ends at this master carrier.
- Remove Slack from operating line and loosely secure at Master Carrier “1” **DO NOT CUT CORD.**

**ADC MODEL 220 SERIES CURTAIN TRACK
INSTALLATION INSTRUCTIONS FOR MANUALLY OPERATED SYSTEMS**

- Slide both master carriers to their overlap positions. Move Master “1” first and then slide Master “2” along the cord.
- Remove all slack from system at Master Carrier “1”.
- Make Certain that cord is threaded through cord lock properly.
- Tighten cord lock of Master Carrier “1”.
- Tighten cord lock of Master Carrier “2”.
- Carefully operate the system.
- If system operates as desired, cut excess cord at Master Carrier “1”.

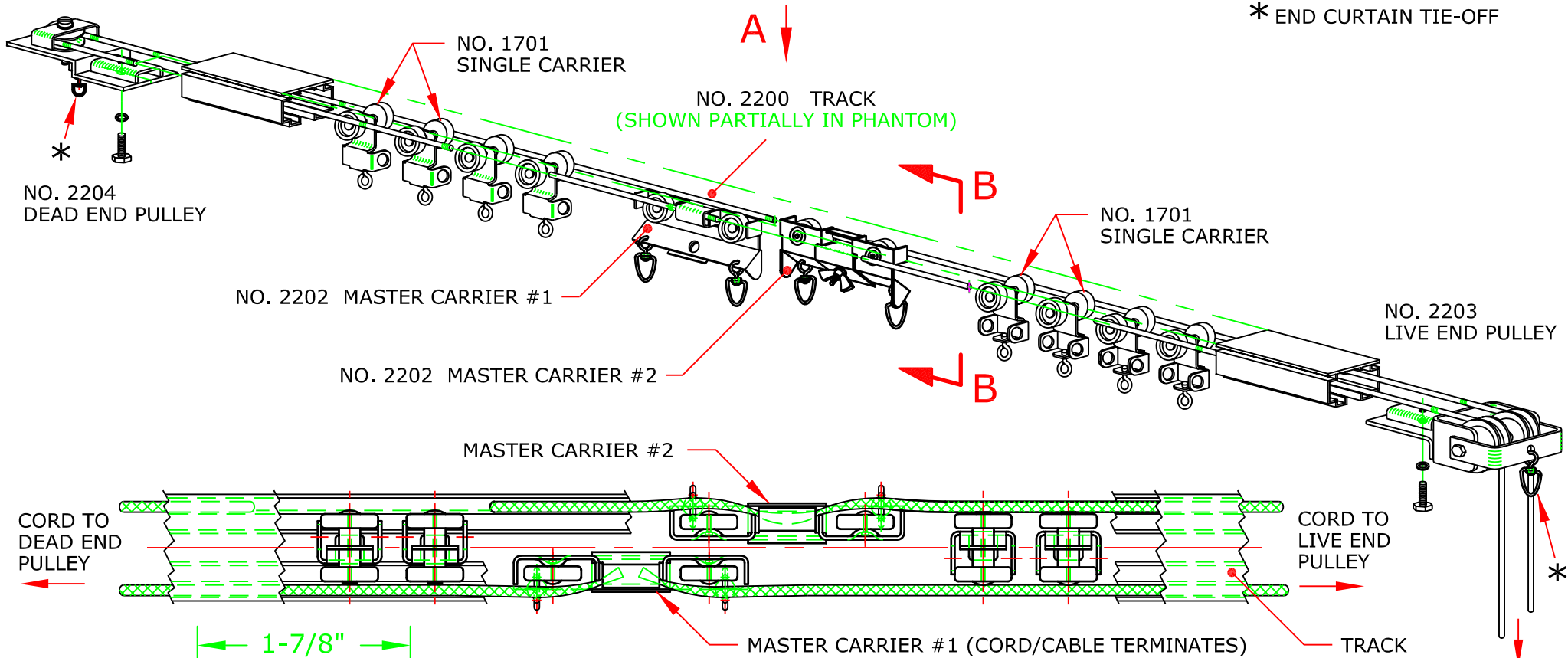
IMPORTANT

- ✓ Be certain that the operating cord is placed between the carrier wheels and the inside wall of the track channel.
- ✓ Do not use hex head or large round head screws when installing the track channel. Make certain that the single carriers clear the fastening hardware even when the carriers are tilted.
- ✓ Support the track properly. If the system is to be suspended, use steel angle, chain or cable. **NEVER USE ROPE TO SUSPEND THE TRACK SYSTEM.**
- ✓ Do not attach the track system directly to a suspended ceiling grid. Provide support member(s) to the structural ceiling above the ceiling grid for the track system.
- ✓ Do not use parts other than those manufactured or suggested by **AUTOMATIC DEVICES COMPANY.**

REV DATE:

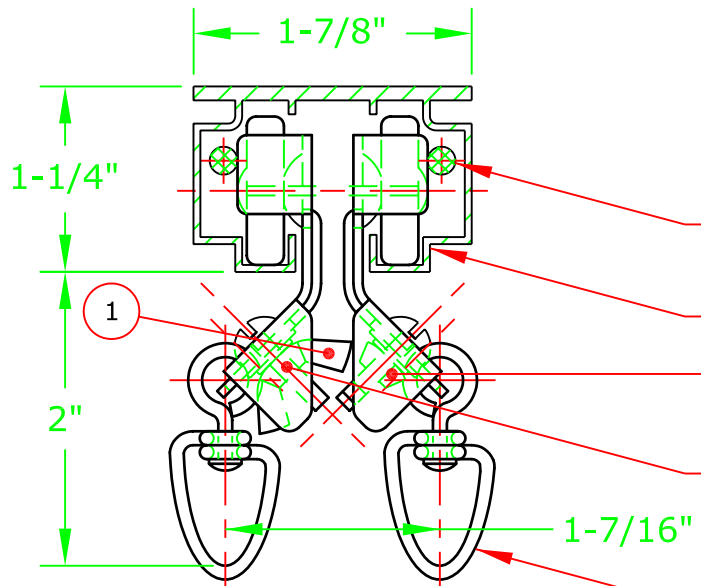
FORM NO.:

* END CURTAIN TIE-OFF



VIEW A

ENLARGED TOP VIEW
SCALE: 3/8"=1"



- NO. 2160 CORD OR NO. 1151 CABLE
- NO. 2200 TRACK
- NO. 2202 MASTER CARRIER #2
- NO. 2202 MASTER CARRIER #1
- SWIVEL EYE TO ATTACH CURTAIN

SECTION B-B

SCALE: 3/4"=1"

NOTES:

- 1 TURN WING NUTS ON MASTER CARRIERS SO THEY DON'T INTERFERE WITH EACH OTHER.

ado AUTOMATIC DEVICES COMPANY
2121 S. 12TH ST. ALLENTOWN, PA 18103

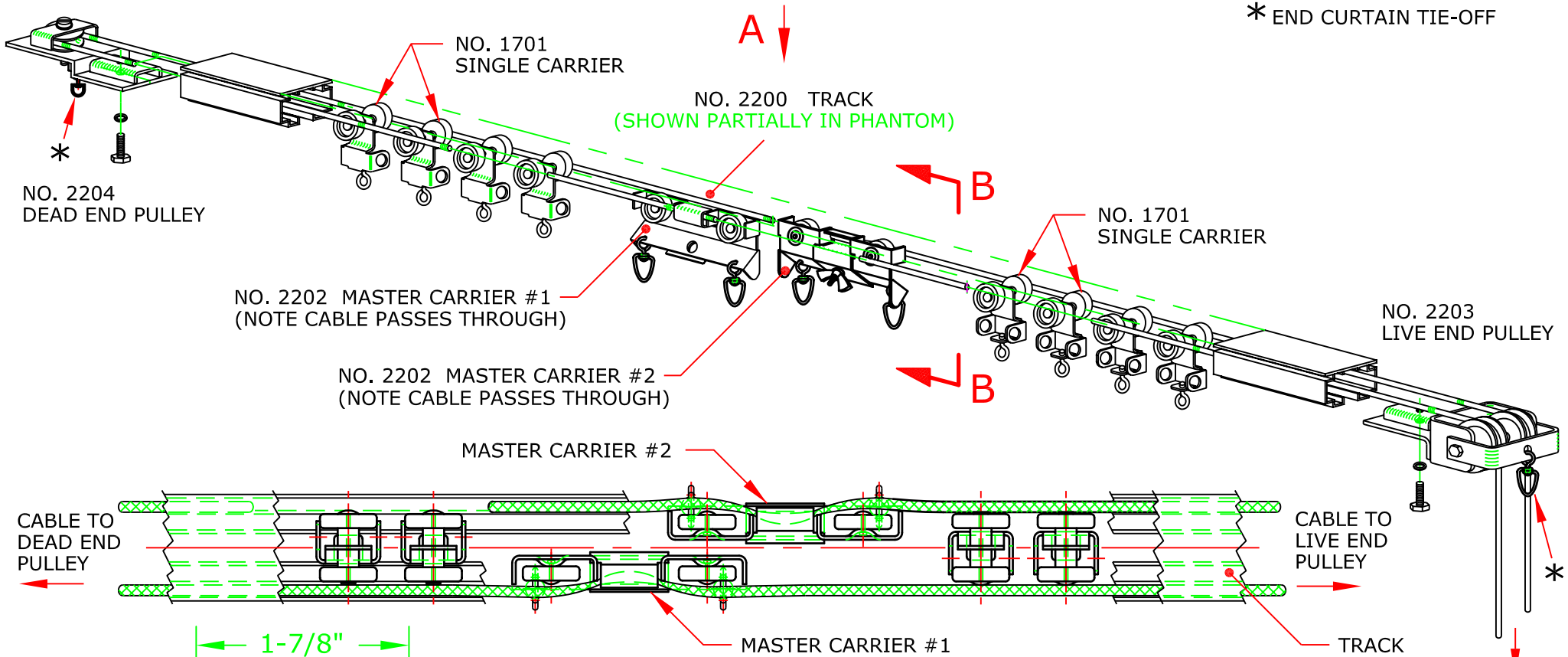
THIS DRAWING HAS BEEN PREPARED AS A SERVICE TO OUR CUSTOMER AND IS INTENDED ONLY TO BE SUGGESTIVE IN NATURE AND IS NOT TO BE USED AS AN ACTUAL INSTALLATION DRAWING. PREVAILING JOB CONDITIONS AND ACCEPTED PRACTICES MUST BE TAKEN INTO ACCOUNT WHEN THE EQUIPMENT IS INSTALLED.

SIZE A	DATE 6/19/04	SERIES MODEL 220 TRAK-EZE CURTAIN TRACK
DRAWN BY JEK	APPROVED BY	DESCRIPTION INSTALLATION DRAWING BI-PART OPERATION
SCALE 3/16=1	SHEET 1 OF 1	DWG NO. II-220BI-1-04

REV. DATE:

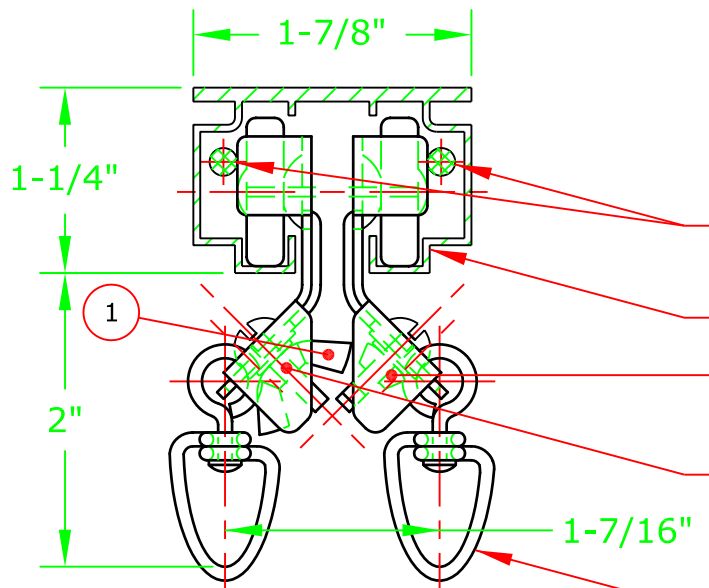
FORM NO.: 220BPM

* END CURTAIN TIE-OFF



VIEW A

ENLARGED TOP VIEW
SCALE: 3/8"=1"



- NO. 1151 CABLE
- NO. 2200 TRACK
- NO. 2202 MASTER CARRIER #2
- NO. 2202 MASTER CARRIER #1
- SWIVEL EYE TO ATTACH CURTAIN

SECTION B-B

SCALE: 3/4"=1"

NOTES:

- 1 TURN WING NUTS ON MASTER CARRIERS SO THEY DON'T INTERFERE WITH EACH OTHER.

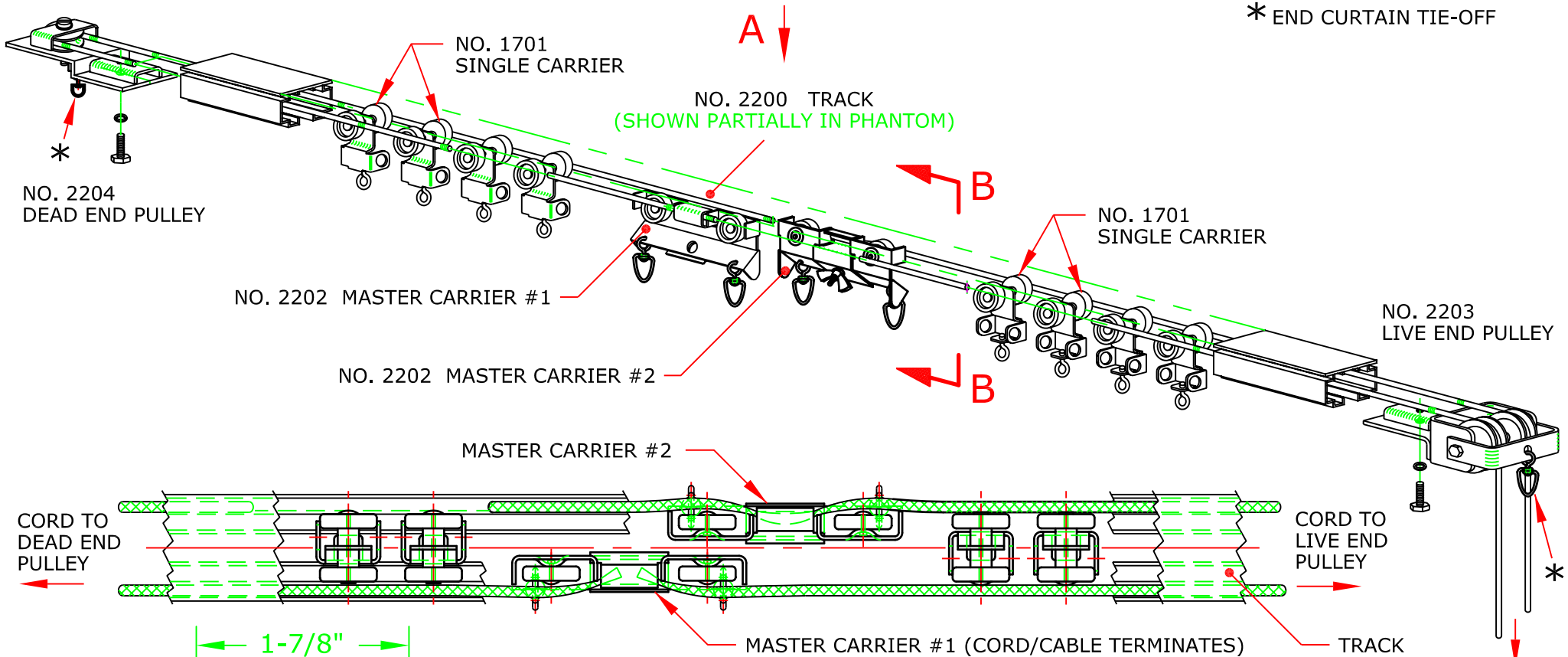
ado AUTOMATIC DEVICES COMPANY
2121 S. 12TH ST. ALLENTOWN, PA 18103

THIS DRAWING HAS BEEN PREPARED AS A SERVICE TO OUR CUSTOMER AND IS INTENDED ONLY TO BE SUGGESTIVE IN NATURE AND IS NOT TO BE USED AS AN ACTUAL INSTALLATION DRAWING. PREVAILING JOB CONDITIONS AND ACCEPTED PRACTICES MUST BE TAKEN INTO ACCOUNT WHEN THE EQUIPMENT IS INSTALLED.

SIZE	DATE	SERIES	MODEL 220
A	6/19/04	TRAK-EZE CURTAIN TRACK	
DRAWN BY	APPROVED BY	DESCRIPTION	INSTALLATION DRAWING
JEK		BI-PART OPERATION (MACHINE)	
SCALE	SHEET	DWG NO.	
3/16=1	1 OF 1	II-220MBI-1-04	

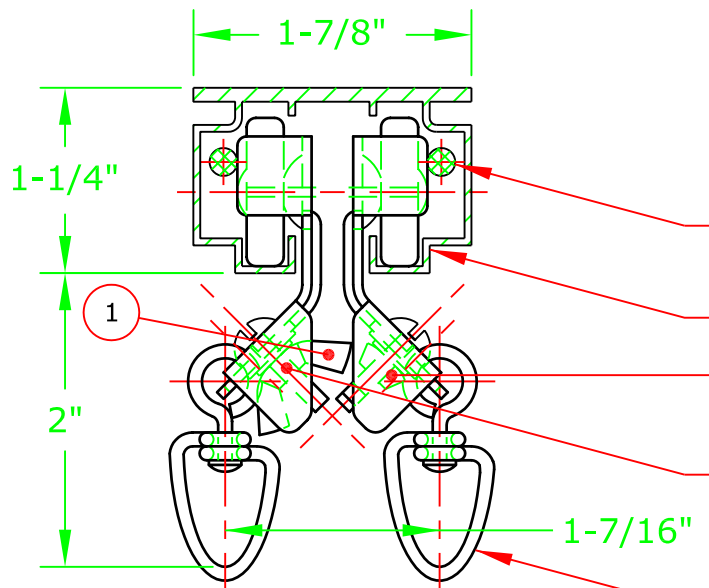
REV DATE:

FORM NO.:



VIEW A

ENLARGED TOP VIEW
SCALE: 3/8"=1"



- NO. 2160 CORD OR NO. 1151 CABLE
- NO. 2200 TRACK
- NO. 2202 MASTER CARRIER #2
- NO. 2202 MASTER CARRIER #1
- SWIVEL EYE TO ATTACH CURTAIN

SECTION B-B

SCALE: 3/4"=1"

NOTES:

- 1 TURN WING NUTS ON MASTER CARRIERS SO THEY DON'T INTERFERE WITH EACH OTHER.

ado AUTOMATIC DEVICES COMPANY
2121 S. 12TH ST. ALLENTOWN, PA 18103

THIS DRAWING HAS BEEN PREPARED AS A SERVICE TO OUR CUSTOMER AND IS INTENDED ONLY TO BE SUGGESTIVE IN NATURE AND IS NOT TO BE USED AS AN ACTUAL INSTALLATION DRAWING. PREVAILING JOB CONDITIONS AND ACCEPTED PRACTICES MUST BE TAKEN INTO ACCOUNT WHEN THE EQUIPMENT IS INSTALLED.

SIZE	DATE	SERIES	MODEL 220
A	6/19/04		TRAK-EZE CURTAIN TRACK
DRAWN BY	APPROVED BY	DESCRIPTION	INSTALLATION DRAWING
JEK			BI-PART OPERATION
SCALE 3/16=1	SHEET 1 OF 1	DWG NO.	II-220BI-1-04